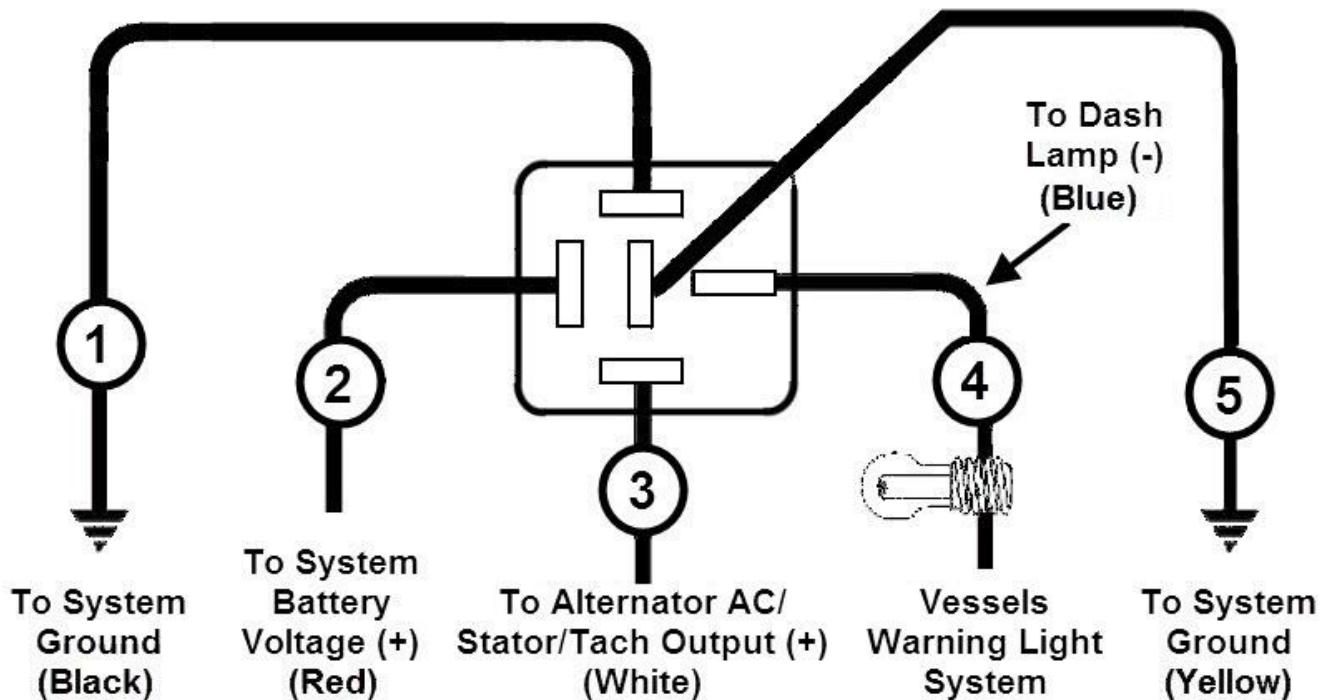


Universal Lamp Relay Kit Installation Instructions

Many marine alternators do not have diode trio circuits to provide a signal to charge indicator lamps. Most do provide an AC stator output which is typically used to supply a signal for a tachometer. By using that AC output, along with a 12V 30A SPDT relay, it is possible to provide an alternator source to activate the charge indicator lamp.

Components Required:

1. 12V, 30A SPDT relay with a mounting tab
2. Plug with a wiring pigtail



Installation:

1. Connect #1 black wire (together with #5 yellow wire) to the system ground (alternator ground terminal, ground bus, battery negative post, etc.)
2. Connect #2 red wire to the positive battery voltage (alternator positive output, positive bus, battery positive post, etc.)
3. Connect #3 white wire to the alternator AC Stator terminal
4. Connect #4 blue wire to the charge indicator lamp's ground (negative) terminal. Connect a positive lamp terminal to a switched source of voltage (positive).
5. Connect #5 yellow wire to the system ground (if not already connected from step 1)