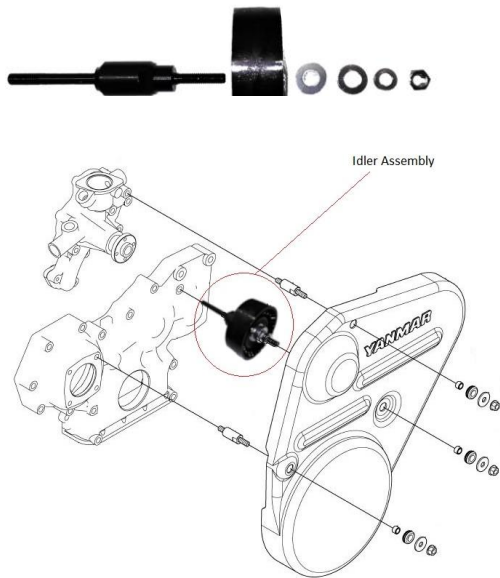




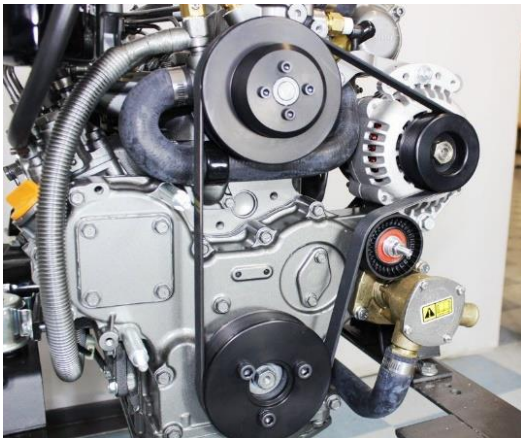
Instructions – Idler Pulley Assembly Installation

[This is only available for the Yanmar JH Series](#)

Idler Assembly



1. Remove components from idler shaft.
2. Remove belt cover stand off and install idler pulley shaft. *Do not over tighten*
3. Reassemble components to idler shaft
4. Install belt and tighten (described in JH belt tensioner instructions step 3 when used with tensioner arm).
5. Complete installation (shown with Electromaax SM series alternator, tensioning arm and idler assembly).
6. Re-install belt cover



For questions please email support@electromaax.com