

1. Description

The Current Sensor for either the battery or alternator is a part of the E-MAAX regulator systems; it measures currents to and from the batteries and reports the measured values to the connected regulator. It is compatible with E-MAAX PRO and PLUS series regulators. The Current Sensor mounts directly in series with the power cables via 8mm (5/16") mounting lugs. When mounting, care must be taken to provide good electrical contacts between the sensor and cables. The Sensor's "measuring" electrical circuits are isolated from the primary circuit.

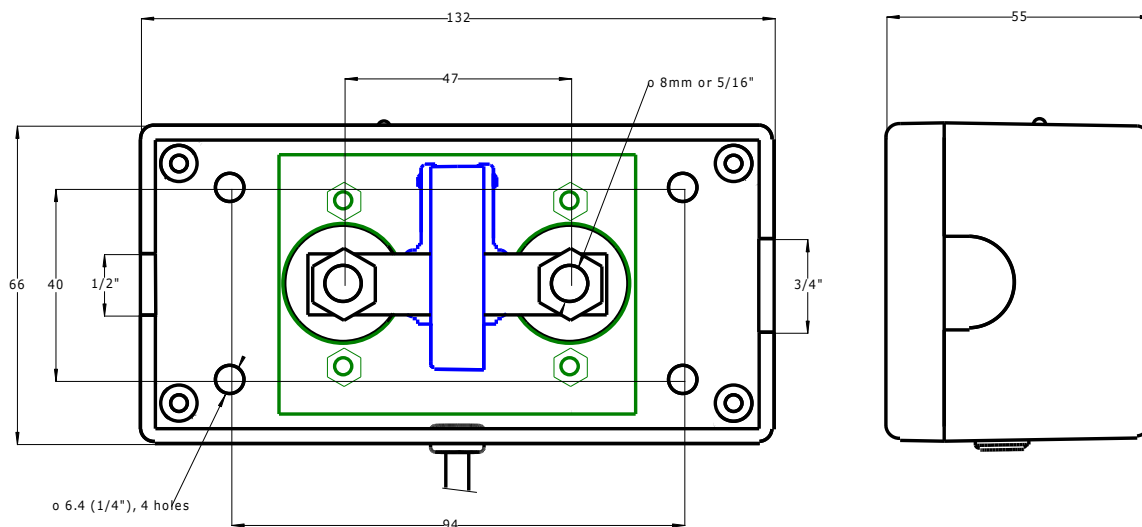
There are specific Current sensors for the alternator (red connection posts) and one for the Battery (black connection posts), as indicated by the ElectroMaax label. Sensors must be connected so that the arrow on the blue induction coil, between the connections posts points to the battery connection (direction).

Remove the top cover (4 screws) to access the connection posts.

2. Specifications

Parameter	Value	Units
Measured current range	-250 .. +250	Amp
Measurement accuracy	1	Amp
Weight	250	grams
Housing material	Plastic, black	-
Current post size	8mm or 5/16"	-
Cable length	3.0	m
Operating range	-40 .. +125	Celsius deg
Protection	IP 57	-
Maximum allowable shock	3	G
Maximum allowable relative humidity	95	%

3. Dimensional outline

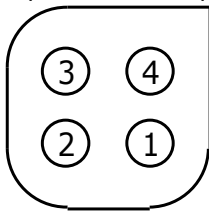


All units are millimeters

3. Electrical specifications

Parameter	Value	Units
DC voltage supply range	6 .. 20	Volts
Current consumption	0.020	Amps
LED color	Green	-
Cable ratings	Gauge: 20 AWG Material: tinned copper strands Strand size: Ø 0.16 mm Insulator Material: PVC Jacket Color: black Diameter: 5.5 mm	-
Communications format	RS-485	-
Wire colors designations	black – battery negative (isolated from the housing) red – DC supply (isolated from the housing) white – communication lead "A" yellow – communication lead "B"	-
Connector pin-out	1 - black – battery negative 2 - red – DC supply 3 - white – communication lead "A" 4 - yellow – communication lead "B"	-

4-pin connector pins, view from the cable side



Notice

ElectroMaax reserves the right to make product modifications or discontinue products without notice. Customers are advised to obtain latest written specifications prior to ordering products. Information provided by ElectroMaax is believed to be accurate at the time of its release. Products sales are subject to the ElectroMaax Terms of Sales in force at the time of order acknowledgment. ElectroMaax products are not designed, authorized, or warranted for use in life support devices and systems, or any other critical applications which may involve death, injury, property or environmental damages. Using ElectroMaax products for any critical application is fully at the risk of the customers and their end users and assigns.