

1. Description

The *COM Module* is compatible with E-MAAX CSR, PRO, and PLUS series regulators

The *COM Module* provides two functions;

1. A USB connection point for a PC to display system data.
2. Houses a Field Reduction Switch (FRS) which commands the regulator to reduce the alternator's field coil current to 50% of its nominal value for the current charging conditions. The 50% reduction reduces engine load in conditions where maximum engine power is desired.

The FRS is activated by the depression of the white button on the housing for two seconds; the FRS can be manually de-activated by again pressing the same button for two seconds. An LED provides a visual indication of the switch status state by the sequence of flashes.

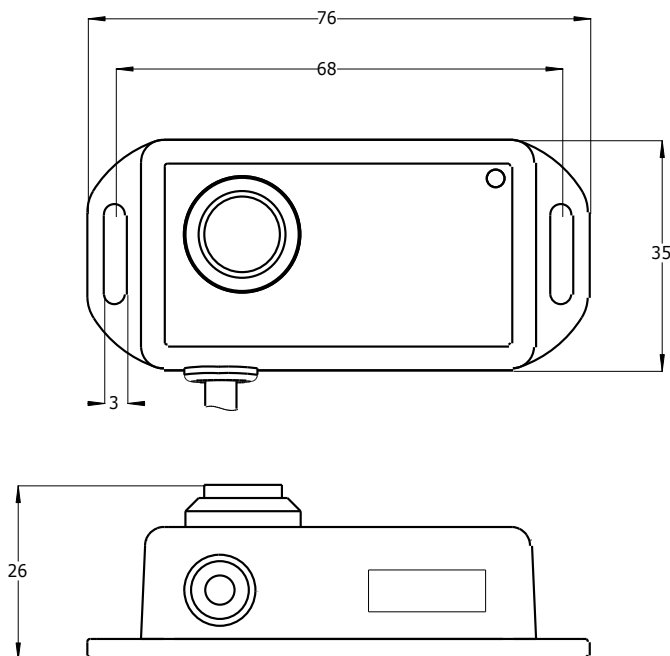
The LED flashes every 2 seconds to indicate the FSR is functional and the alternator output is at 100% of its nominal value, Activation of the FSR the LED flashes 3 times in a second and the alternator output is reduced.

When the engine ignition is switched off, the indicator is not lit and the FRS is re-set to 100%.

2. Specifications

Parameter	Value	Units
Weight	200	grams
Housing material	PVC	-
Operating range	-40 .. +125	Celsius deg
Protection	IP 56	-
Maximum allowable shock	3	G
Maximum allowable relative humidity	90	%

3. Dimensional outline

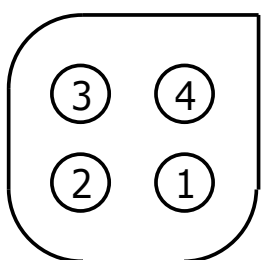


All units are millimeters

3. Electrical specifications

Parameter	Value	Units
DC voltage supply range	6 .. 20	Volts
Current consumption	0.020	Amps
LED color	Green	-
Visual indication flashing frequencies	0.5 (Field Reduction Switch inactive) 3.0 (Field Reduction Switch active)	Hz
Cable ratings	Gauge: 20 AWG Material: tinned copper strands Strand size: Ø 0.16 mm Insulator Material: PVC Jacket Color: black Diameter: 5.5 mm	-
Communications format	RS-485	-
Wire colors designations	black – battery negative (isolated from the housing) red – DC supply (isolated from the housing) white – communication lead "A" yellow – communication lead "B"	-
Connector pin-out	1 - black – battery negative 2 - red – DC supply 3 - white – communication lead "A" 4 - yellow – communication lead "B"	-

4-pin connector pins, view from the cable side (insertion)



Notice

ElectroMaax reserves the right to make product modifications or discontinue products without notice. Customers are advised to obtain latest written specifications prior to ordering products. Information provided by ElectroMaax is believed to be accurate at the time of its release. Products sales are subject to the ElectroMaax Terms of Sales in force at the time of order acknowledgment. ElectroMaax products are not designed, authorized, or warranted for use in life support devices and systems, or any other critical applications which may involve death, injury, property or environmental damages. Using ElectroMaax products for any critical application is fully at the risk of the customers and their end users and assigns.